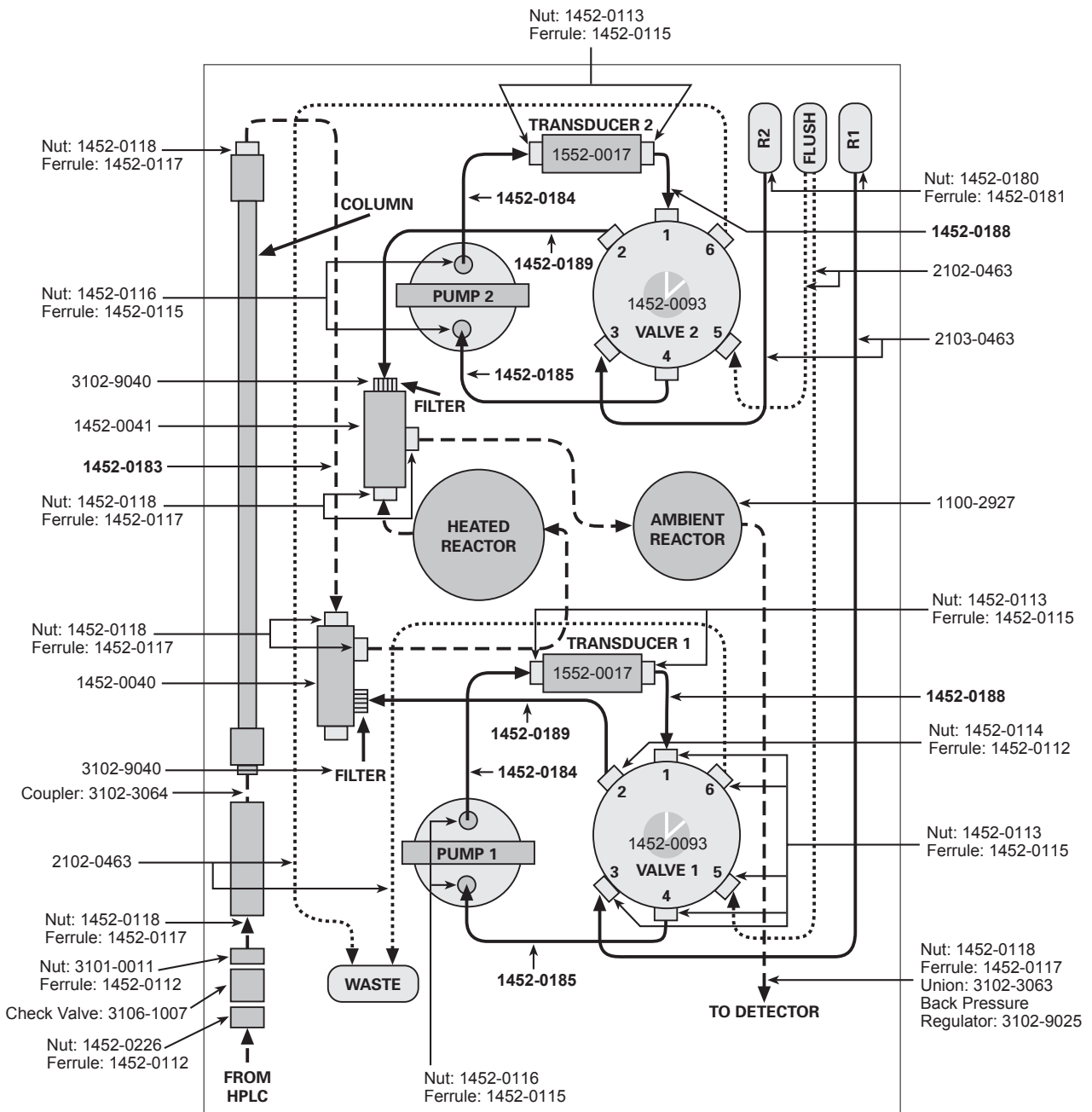


Replacement Components, Fittings & Tubing

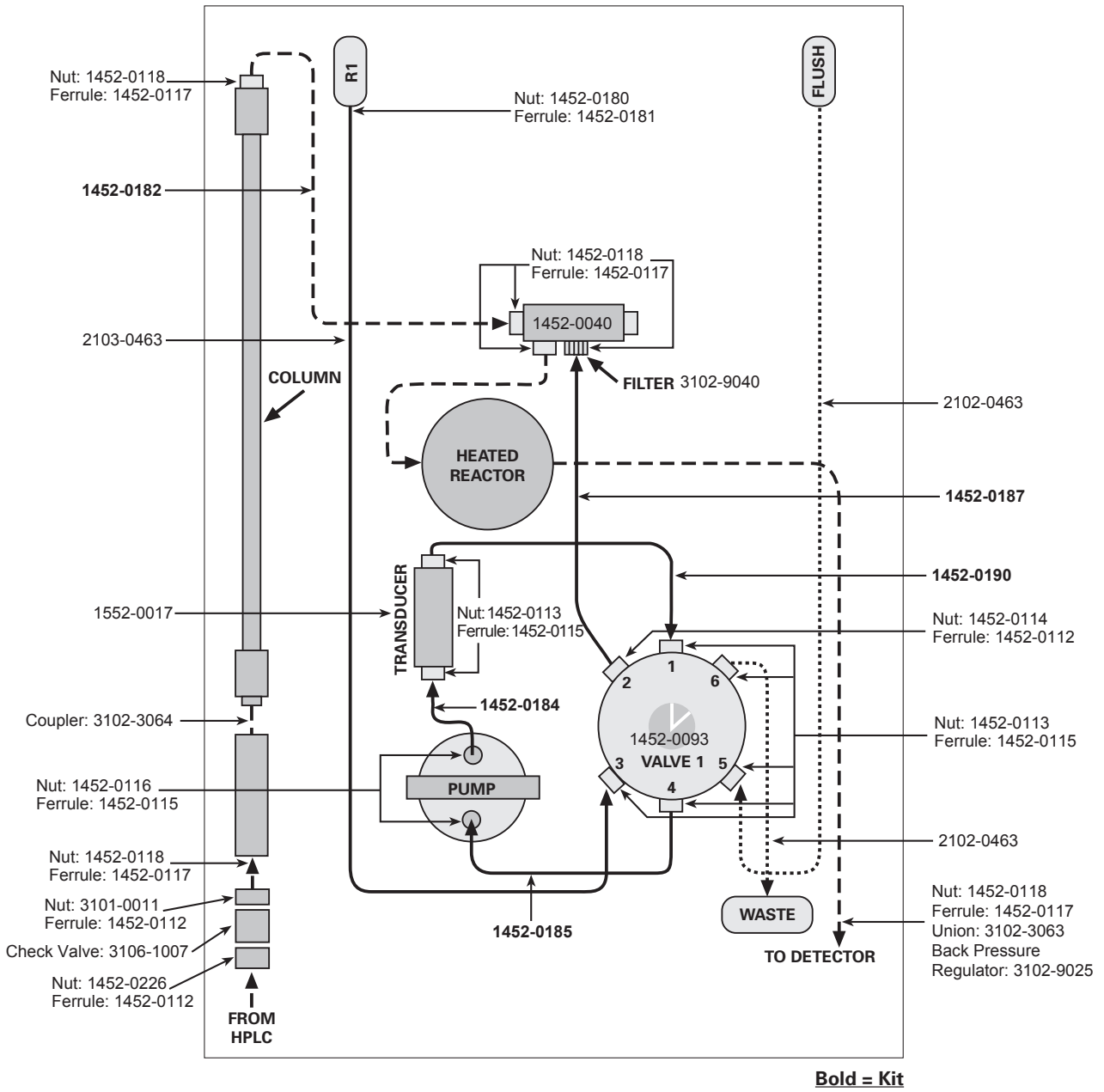
Onyx PCX Flow Diagram – Two-Pump System



Bold = Kit

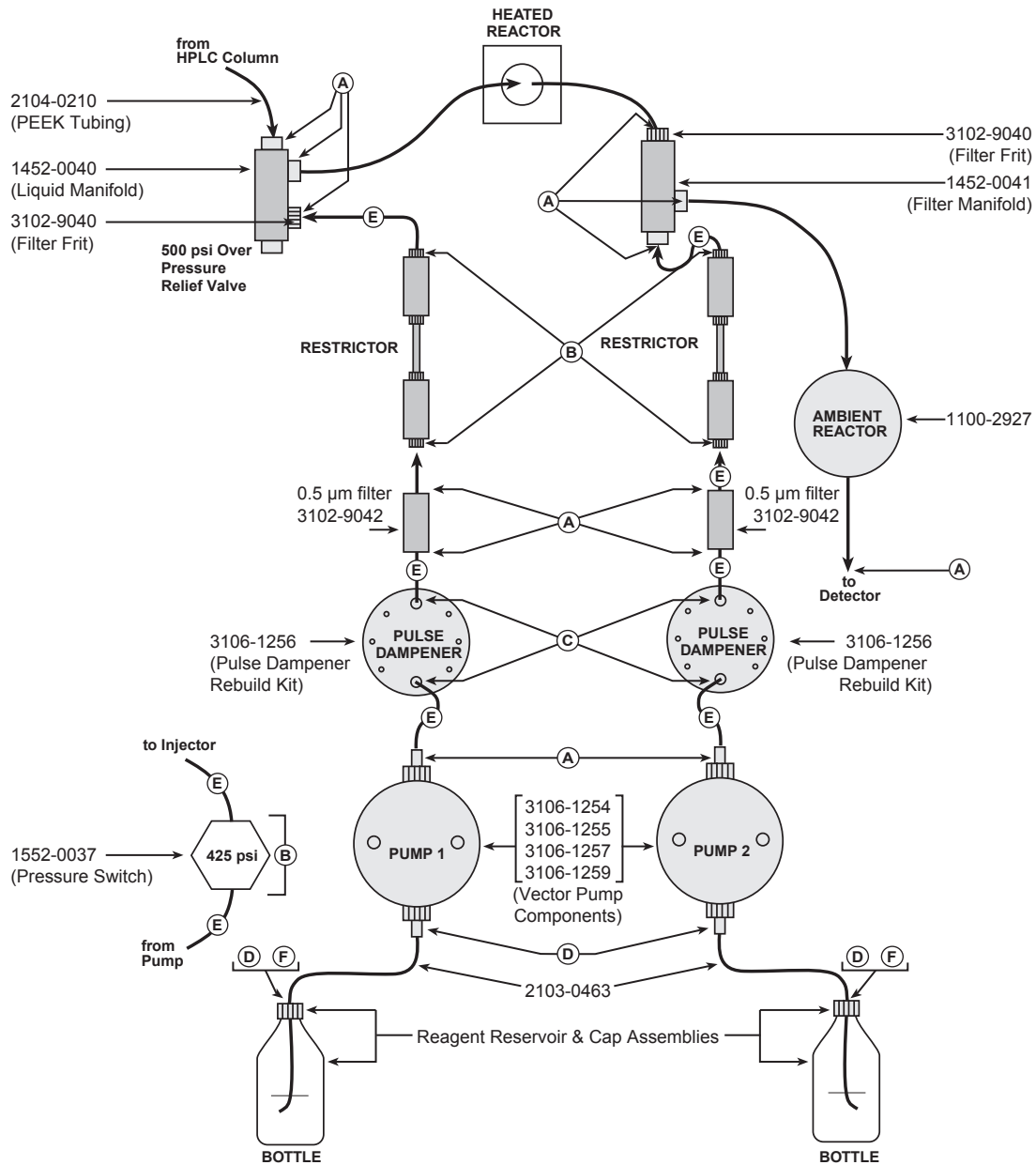
Replacement Components, Fittings & Tubing

Onyx PCX Flow Diagram – One-Pump System



Replacement Components, Fittings & Tubing

Vector PCX Flow Diagram



- | | | |
|--|--|---|
| (A) Nut: 1452-0118
Ferrule: 1452-0117 | (C) Nut: 1452-0177
Ferrule: 1452-0176 | (E) 2104-0220
(PEEK Tubing,
0.02" ID) |
| (B) Nut: 1452-0179
Ferrule: 1452-0178 | (D) Nut: 1452-0180
Ferrule: 1452-0181 | (F) 3106-1010 |

Replacement Components, Fittings & Tubing

Onyx PCX Reagent Pump and Valve Components

Onyx PCX Reagent Pump and Valve Components	
Catalog No.	Description
1000-1003	Single Syringe Pump PM Kit
1000-1004	Dual Syringe Pump PM Kit
1100-0550	Onyx PCX Tubing Kit - Dual Pump System
1100-0551	Onyx PCX Tubing Kit - Single Pump System
1352-0007	Syringe Pump Cylinder, Ceramic 70 mL
1352-0019	Syringe Pump PEEK® Face
1352-0020	Metal Piston Face
1452-0077	Onyx PCX Valve Assembly, Valve Face and Motor
1452-0079	Onyx PCX Pump Assembly, 70 mL with Motor
1452-0093	PCX Valve Face Assembly, Liquid End
1452-0122	Syringe Pump Seal Kit
1452-0200	PCX Valve Seal Tool
1452-0201	PCX Valve Seals Kit
1452-0202	PCX Valve Maintenance Kit (Seals and Tools)
1452-0332	Syringe Pump PEEK® Cylinder Front Assembly
1452-0349	Syringe Pump Rebuild Kit
1552-0017	PCX Pressure Transducer Assembly
1552-0040	PCX Dead-head Kit for Transducer for Chromium VI and Alprostadil Systems

Pinnacle PCX Reagent Pump and Valve Components

Pinnacle PCX Reagent Pump and Valve Components	
Catalog No.	Description
1000-1003	Single Syringe Pump PM Kit
1000-1004	Dual Syringe Pump PM Kit
1100-0500	Pinnacle PCX Tubing Kit - Dual Pump System
1100-0501	Pinnacle PCX Tubing Kit - Single Pump System
1352-0007	Syringe Pump Cylinder, Ceramic 70 mL
1352-0019	Syringe Pump PEEK® Face
1352-0020	Metal Piston Face
1452-0038	Pinnacle Syringe Pump Assembly, 70 mL with Motor
1452-0045	Pinnacle PCX Valve Assembly, Valve Face and Motor
1452-0093	PCX Valve Face Assembly, Liquid End
1452-0122	Syringe Pump Seal Kit
1452-0200	PCX Valve Seal Tool
1452-0201	PCX Valve Seals Kit
1452-0202	PCX Valve Maintenance Kit (Seals and Tools)
1452-0332	Syringe Pump PEEK® Cylinder Front Assembly

Pinnacle PCX Reagent Pump and Valve Components (Continued)	
Catalog No.	Description
1452-0349	Syringe Pump Rebuild Kit
1552-0017	PCX Pressure Transducer Assembly
1552-0040	Pinnacle PCX Dead-head Kit for Transducer for Chromium VI and Alprostadil Systems

Vector PCX Reagent Pump Components

Vector PCX Reagent Pump Components	
Catalog No.	Description
1000-1006	Vector PCX Dual Pump PM Kit
1452-0235	Check Valve Cartridge, PEEK® (2/pk) Vector
1452-0332	Syringe Pump PEEK® Cylinder Front Assembly
3102-9028	Inline Filter, 0.5 µm Frit
3106-1254	Pump Check Valve Kit, PEEK® (Inlet & Outlet)
3106-1255	Seal Kit (Piston seal, Back-up O-ring, Diaphragm, Tool)
3106-1256	Pulse Damper Rebuild Kit (Diaphragm, O-rings, Diaphragm seal, Seal tool, and 4 Hex wrenches)
3106-1257	Piston, Vector Pump
3106-1258	Prime/Purge Valve, PEEK®
3106-1259	Head Kit, Vector Pump, (Head, Check Valves, Piston and Seal)
3106-1260	Prime Purge Seal Kit, PEEK®
3106-1266	Piston Retainer Bushing

Onyx PCX Replacement Reactors

Onyx PCX Replacement Reactor Volume Cartridge Coils	
Catalog No.	Description
1452-0221	Reactor Cooling Coil, Voglibose
1452-0241	Onyx Reactor Heater Assembly
1452-0363	Onyx Reactor Cartridge Coil Assembly - 0.15 mL 130 °C
1452-0364	Onyx Reactor Cartridge Coil Assembly - 0.5 mL 130 °C
1452-0365	Onyx Reactor Cartridge Knitted Assembly - 1.4 mL 130 °C
1452-0366	Onyx Reactor Cartridge Knitted Assembly - 2.0 mL 80 °C
1452-0367	Onyx Reactor Cartridge Knitted Assembly - 3.0 mL 80 °C
1452-0368	Onyx Reactor Cartridge Coil Assembly - 3.5 mL 130 °C
1452-0369	Onyx Reactor Cartridge Knitted Assembly - 1.2 mL & 1.6 mL 130 °C
1452-0370	Onyx Reactor Cartridge Knitted Assembly - 1.0 mL
1452-0359	Calibration Reactor

Replacement Components, Fittings & Tubing

Pinnacle PCX Replacement Reactors

Pinnacle PCX Replacement Reactor Volume Cartridge Coils	
Catalog No.	Description
1452-0063	Pinnacle Reactor Heater Assembly
1452-0064	Reactor Cartridge Coil Assembly - 0.5 mL 130 °C
1452-0094	Reactor Cartridge Coil Assembly - 0.15 mL 130 °C
1452-0096	Reactor Cartridge Knitted Assembly - 1.4 mL 130 °C
1452-0097	Reactor Cartridge Knitted Assembly - 2.0 mL 80 °C
1452-0098	Reactor Cartridge Knitted Assembly - 2.8 mL 80 °C
1452-0099	Reactor Cartridge Knitted Assembly - 3.0 mL 80 °C
1452-0100	Reactor Cartridge Knitted Assembly - 1.2 mL & 1.6 mL 130 °C
1452-0221	Reactor Cooling Coil, Voglibose
1452-0225	Reactor Cartridge Coil Assembly - 3.5 mL 130 °C
1452-0324	Reactor Cartridge Knitted Assembly - 1.0 mL

Vector PCX Substitute Reactor Volumes or Replacement Reactors

Vector PCX Substitute Reactor Volumes or Replacement Reactors	
Catalog No.	Description
1100-2927	OPA Ambient Reactor, 0.010 in ID TFE Tubing
1452-0160	Reactor Heater & Coil Assembly, 0.15 mL, 130 °C max, 120 V
1452-0161	Reactor Heater & Coil Assembly, 0.15 mL, 130 °C max, 240 V
1452-0162	Reactor Heater & Coil Assembly, 0.5 mL, 130 °C max, 120 V
1452-0163	Reactor Heater & Coil Assembly, 0.5 mL, 130 °C max, 240 V
1452-0166	Reactor Heater & Knitted Assembly, 1.4 mL, 130 °C max, 120 V
1452-0167	Reactor Heater & Knitted Assembly, 1.4 mL, 130 °C max, 240 V
1452-0168	Reactor Heater & Knitted Assembly, 2.0 mL, 130 °C max, 120 V
1452-0169	Reactor Heater & Knitted Assembly, 2.0 mL, 130 °C max, 240 V
1452-0170	Reactor Heater & Knitted Assembly, 2.8 mL, 130 °C max, 120 V
1452-0171	Reactor Heater & Knitted Assembly, 2.8 mL, 130 °C max, 240 V
1452-0172	Reactor Heater & Knitted Assembly, 3.0 mL, 130 °C max, 120 V
1452-0173	Reactor Heater & Knitted Assembly, 3.0 mL, 130 °C max, 240 V
1452-0174	Reactor Heater & Knitted Assembly, 1.2 & 1.6 mL, 130 °C max, 120 V
1452-0175	Reactor Heater & Knitted Assembly, 1.2 & 1.6 mL, 130 °C max, 240 V

Vector PCX Substitute Reactor Volumes or Replacement Reactors (Continued)	
Catalog No.	Description
1452-0223	Reactor Heater & Knitted Assembly, 3.5 mL, 130 °C max, 120 V
1452-0224	Reactor Heater & Knitted Assembly, 3.5 mL, 130 °C max, 240 V
1452-0325	Reactor Heater & Knitted Assembly, 1.0 mL, 130 °C max, 120 V
1452-0326	Reactor Heater & Knitted Assembly, 1.0 mL, 130 °C max, 240 V

Reagent Reservoirs & Cap Assemblies

Reagent Reservoirs & Cap Assemblies	
Catalog No.	Description
1452-0120	Bottle, Piston Wash with Cap, Onyx, Pinnacle, & Vector PCX
1452-0121	Bottle, System Flush with Cap, Pinnacle/Onyx PCX
1452-0356	Reagent & Gas Line Clip, pack of 2
1925-0129	Cap for Flush Bottle, GL-38, Black, Pinnacle/Onyx PCX
1925-0130	Cap for Wash Bottle, GL-38, Black, Onyx, Pinnacle, & Vector PCX
3107-0137	Reservoir Bottle, Safety-coated, 1 L
3107-0138	Reservoir Cap for Storage of 1 L and 2 L Bottles, (No Valve)
3107-0145	Reservoir Bottle, Safety-coated, 2 L
3107-0147	Cap Assembly for 1 L Bottle, includes Cap with Integrated Valve
3107-0148	Cap Assembly for 2 L Bottle, includes Cap with Integrated Valve
3107-0300	Reservoir Assembly, includes 1 L Bottle, and Cap with Integrated Valve

Pressure Regulators, Valves & Gauges

Pressure Regulators, Valves & Gauges	
Catalog No.	Description
1452-0141	Gas Manifold Assembly, PCX
1452-0343	Over Pressure Relief Valve Cartridge
3102-9010	Back Pressure Regulator 1000 psi
3102-9025	Pressure Regulator, 100 psi, 1/4-28 connection, for detector waste, PCX
3106-1007	Inline Check Valve, PCX
3106-1010	Check Valve, Reagent Cap

Replacement Components, Fittings & Tubing



Flow Restrictors

Flow Restrictors	
Catalog No.	Description
1100-0141	Flow Restrictor, TRIONE® Ninhydrin Reagent, 65 psi @ 0.3 mL/min, 6 cm
1100-0142	Flow Restrictor, 100 psi @ 0.3 mL/min, 10 cm
1100-0161	Flow Restrictor, PEEK® Tubing for Polyether Antibiotics Systems, 0.005" ID, 550 psi @ 0.3 mL/min in 15 % Methanol in Water
1100-0200	Flow Restrictor, for OPA, Hypochlorite and Hydrolysis Reagent, 300 psi @ 0.3 mL/min, 10 cm
1100-0205	Flow Restrictor, 200 psi @ 0.3 mL/min, 6 cm
1100-0262	Flow Restrictor, 1150 psi @ 0.3 mL/min, 20 cm
1100-0263	Flow Restrictor, 550 psi @ 0.3 mL/min, 17 cm

Filters & Frits

Filters & Frits	
Catalog No.	Description
1452-0330	Vector 0.5um filter Upgrade Kit
3102-9040	Replacement Reagent 10 µm Frit
3102-9042	Replacement Reagent 0.5 µm Frit

Tees & Unions

Tees & Unions	
Catalog No.	Description
1452-0040	Liquid Manifold Assembly with Relief Valve, PCX
1452-0041	Liquid "T" Manifold Assembly, PCX

Tubing, Plastic

Tubing, Plastic	
Catalog No.	Description
2101-0212	TFE Tubing, 1/16" OD x 0.010" ID, 90 cm
2101-0216	TFE Tubing, 1/16" OD x 0.016" ID, 90 cm
2101-0220	TFE Tubing, 1/16" OD x 0.020" ID, 90 cm
2101-0225	TFE Tubing, 1/16" OD x 0.025" ID, 90 cm
2101-0232	C-Flex Tubing, 1/4" OD x 1/8" ID, 90 cm
2102-0463	FEP Tubing, 1/8" OD x 0.063" ID, 90 cm
2103-0463	Air Barrier Tubing, 1/8" OD x 0.063" ID, 90 cm
2104-0210	Inert PEEK® Tubing, 1/16" OD x 0.010" ID, 90 cm
2104-0220	Inert PEEK® Tubing, 1/16" OD x 0.020" ID, 90 cm

Fittings, Plastic

Fittings, Plastic	
Catalog No.	Description
1452-0112	Ferrule, 1/16 x 1/4-28 (PEEK®), Pinnacle PCX - Pack of 5
1452-0113	Nut, Short, 1/8 x 1/4-28 (PEEK®), Pinnacle PCX - Pack of 5
1452-0114	Nut, Short, 1/16 x 1/4-28 (PEEK®), Pinnacle PCX - Pack of 5
1452-0115	Ferrule, 1/8 x 1/4-28 (PEEK®), Pinnacle PCX - Pack of 5
1452-0116	Nut, Long, 1/8 x 1/4-28 (PEEK®), Pinnacle PCX - Pack of 5
1452-0117	Ferrule, 1/16 (PEEK®), Lite Touch - Pack of 5
1452-0118	Nut, 1/16 (PEEK®), Lite Touch - Pack of 5
1452-0176	Ferrule, PEEK® 1/16 x 10-32 S/T, 5 each
1452-0177	Nut, PEEK® Long 1/16 x 10-32 S/T, 5 each
1452-0180	Nut, 1/4-28, 1/8" (Polypropylene) - Pack of 5
1452-0181	Ferrule, 1/4-28, 1/8" (Tefzel) - Pack of 5
1452-0226	Nut, Long, 1/16 x 1/4-28 (PEEK®), Pinnacle PCX - Pack of 5
3101-0011	Nut, Female PEEK® 1/4-28
3101-0020	Plug (Male), 1/4-28 (Delrin)
3101-0030	Plug (Male), 10-32, 1/16" (Delrin)
3102-9160	Removal Tool, for Lite-Touch Ferrule

Fittings, Type 316 Stainless Steel

Fittings, Type 316 Stainless Steel	
Catalog No.	Description
1452-0178	Ferrule, Parker type, 1/16" - Pack of 5
1452-0179	Nut (Male), Parker type, 10-32, 1/16" - Pack of 5